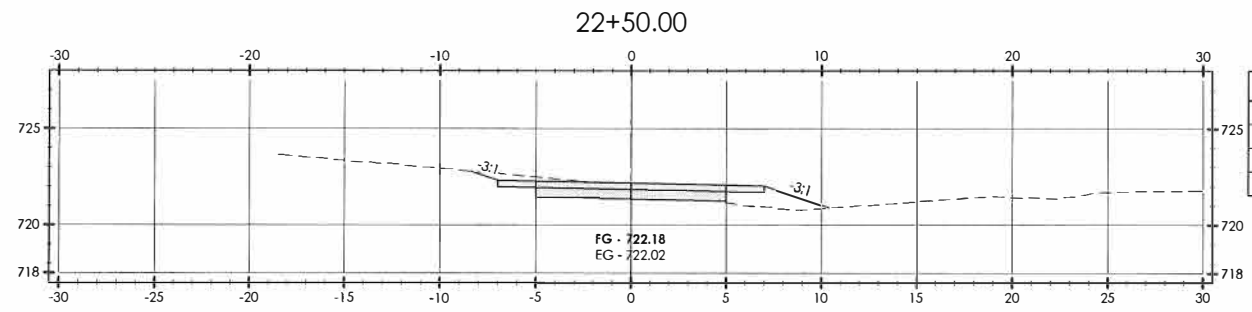
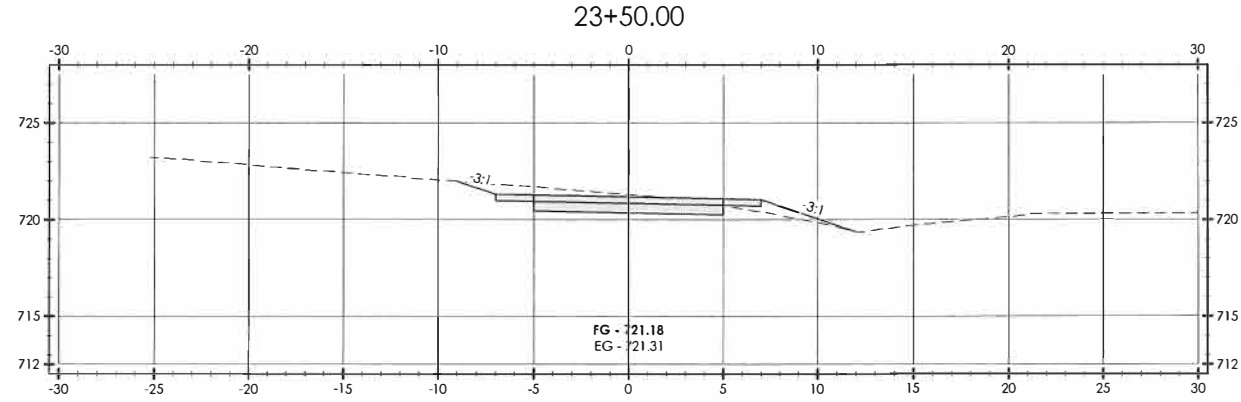


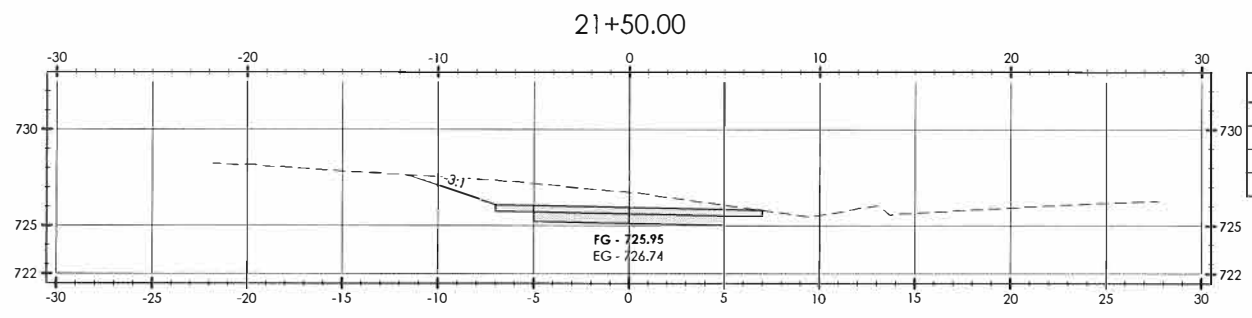
OKLAHOMA DEPARTMENT OF TRANSPORTATION					
FED. ROAD DIST. NO.	STATE	PROJ. NO.	FISCAL YEAR	SHEET NO.	TOTAL SHEETS
6	OKLA	2884(04)			
DESCRIPTION				REVISIONS	DATE



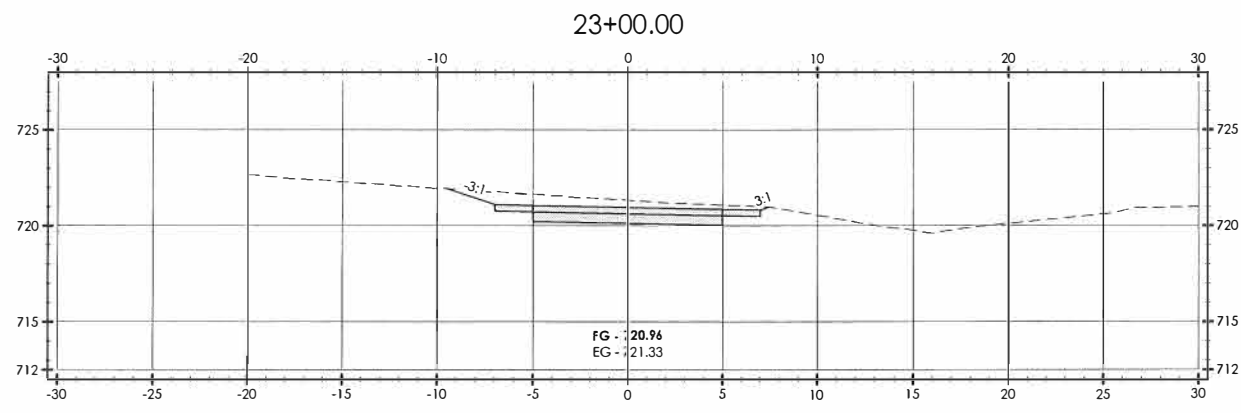
Trail Station 22+50.00	
Cut Area	7.34 SF
Cut Vol	55.68 CY
Fill Area	3.34 SF
Fill Vol	6.31 CY



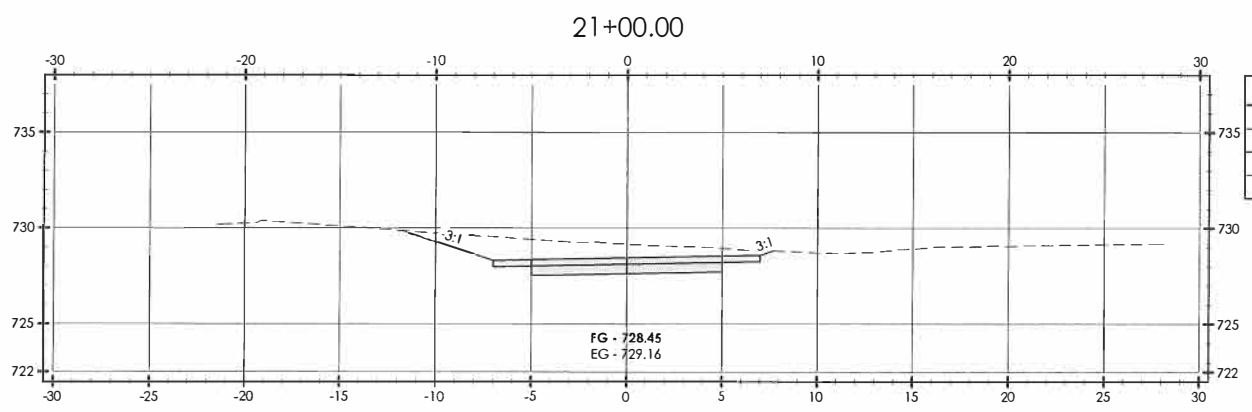
Trail Station 23+50.00	
Cut Area	11.93 SF
Cut Vol	26.13 CY
Fill Area	1.82 SF
Fill Vol	1.68 CY



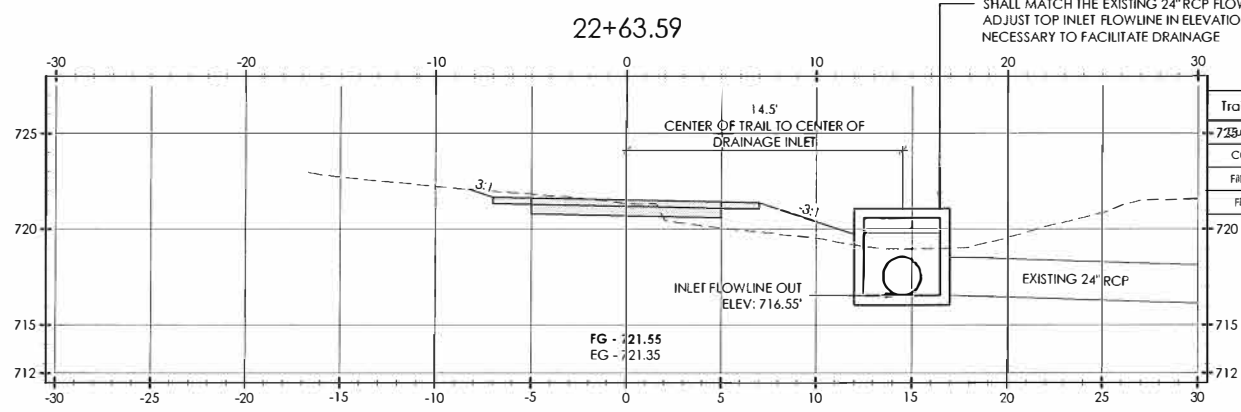
Trail Station 21+50.00	
Cut Area	22.90 SF
Cut Vol	41.99 CY
Fill Area	0.00 SF
Fill Vol	0.00 CY



Trail Station 23+00.00	
Cut Area	16.29 SF
Cut Vol	15.66 CY
Fill Area	0.00 SF
Fill Vol	5.76 CY



Trail Station 21+00.00	
Cut Area	22.45 SF
Cut Vol	36.30 CY
Fill Area	0.00 SF
Fill Vol	0.00 CY



REFER TO STANDARD DETAIL 770 FOR THE CONSTRUCTION OF THIS INLET. INLET FLOWLINE OUT SHALL MATCH THE EXISTING 24" RCP FLOWLINE. ADJUST TOP INLET FLOWLINE IN ELEVATION AS NECESSARY TO FACILITATE DRAINAGE

Trail Station 22+63.59	
Cut Area	6.70 SF
Cut Vol	3.64 CY
Fill Area	9.08 SF
Fill Vol	2.88 CY

F:\582 Sand Springs Park Road Trail\Final\Civil 3D - Base Files\ParkRoadTrail-BASE1-Final-R1.dwg, 6/12/2017 3:48:17 PM



City of Sand Springs - Park Road Trail		PREPARED BY: LANDPLAN CONSULTANTS 1118 N.W. 12th Street TULSA, OK 74107 918.584.6264
Design	JM	7/16
Drawn	JM/BB	8/16
Checked	KF/JM	6/17
Approved		
Squad	LandPlan	

Tulsa County

CROSS SECTIONS SHEET (8)

STATE JOB NO. 28844(04) Sheet No. 51 of 63